



Agilent Technologies

55290B Rotary Axis Measurement Kit

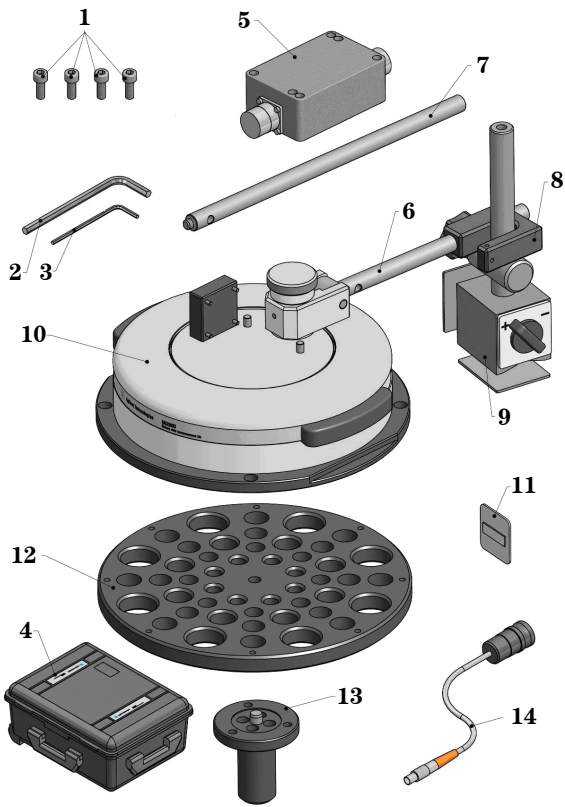
To make angular position measurements the following products are required:

- Basic Laser System (5529B)
- Angular Optics Kit (55281A)
- Rotary Axis Measurement Kit (55290B)
- Fixturing Kit (55290A-744 or later)
- USB Expansion Module (55292A)
- Calibration Software (10747B v3.40 or later)



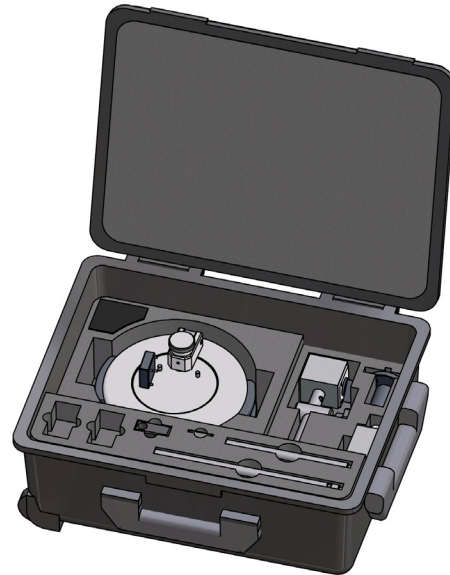
Specifications of the Rotary Axis Measurement Kit (55290B) together with the Angular Optics Kit (55281A):

- | | |
|--------------------------|--|
| - Accuracy: | ± 1.0 arc sec |
| - Repeatability: | ± 0.8 arc sec |
| - Resolution: | 0.36 arc sec |
| - Max rpm: | 30 rpm |
| - Mounting Orientation: | random (even upside down) |
| - Operating temperature: | 0 - 40°C (32 - 104°F) |
| - Accessories: | (see next page for kit contents) |
| - Software: | 55290B is fully supported by the
10747B Calibrator Software (v3.40 or later). |



Ref	Description	Qty
1	Socket-head Cap Screw, M6x12	4
2	Hex-Allen Key Ball Point, 5 mm	1
3	Hex-Key Ball End, 2.5 mm	1
4	Storage Case	1
5	Signal Interpolator	1
6	Shaft, 200 mm	1
7	Shaft, 300 mm	1
8	Set Rotation Prevention	1
9	Magnetic Stand	1
10	Rotary Transducer Head	1
11	Magnetic Alignment Reflector	1
12	Adapter Plate	1
13	Flanged Adaptor Shaft	1
14	A quad B Cable	1

Components of the 55290B Rotary Axis Measurement Kit



55290B comes in a storage case
Dimensions, mm: 560 L x 455 W x 265 H
(22.06" L x 17.93" W x 10.43" H)
Ship weight: 26.4 kg (58 lb)

55290B Rotary Axis Measurement Kit in its storage case